

	Product technical datasheet	Document code
	<i>Enamel Steel bathtubs</i>	QU93_07_BLE001
	MILANO	Page: 1 de 3

1. Application:

Size	Description	Customer Article codes	Manufacture Article codes	EAN13
1700 X 700	Milano Vitreous enamel steel 1700 X 700 white	B70E2000L	B70E2000L	56.036.871.046.311
1600 X 700	Milano Vitreous enamel steel 1600 X 700 white	B60E2000L	B60E2000L	56.036.871.046.488
1500 X 700	Milano Vitreous enamel steel 1500 X 700 white	B50E2000L	B50E2000L	56.036.871.046.555
1400 X 700	Milano Vitreous enamel steel 1400 X 700 white	B40E2000L	B40E2000L	56.036.871.046.622

2. Product description and components list:

2.1. Milano



2.1.1. Standard product:

Bathtub made with standard gauge steel and lined with **Vitreous Titanium Enamel**. Provided with overflow and drain holes with $\varnothing 52$ and metal feet supports.

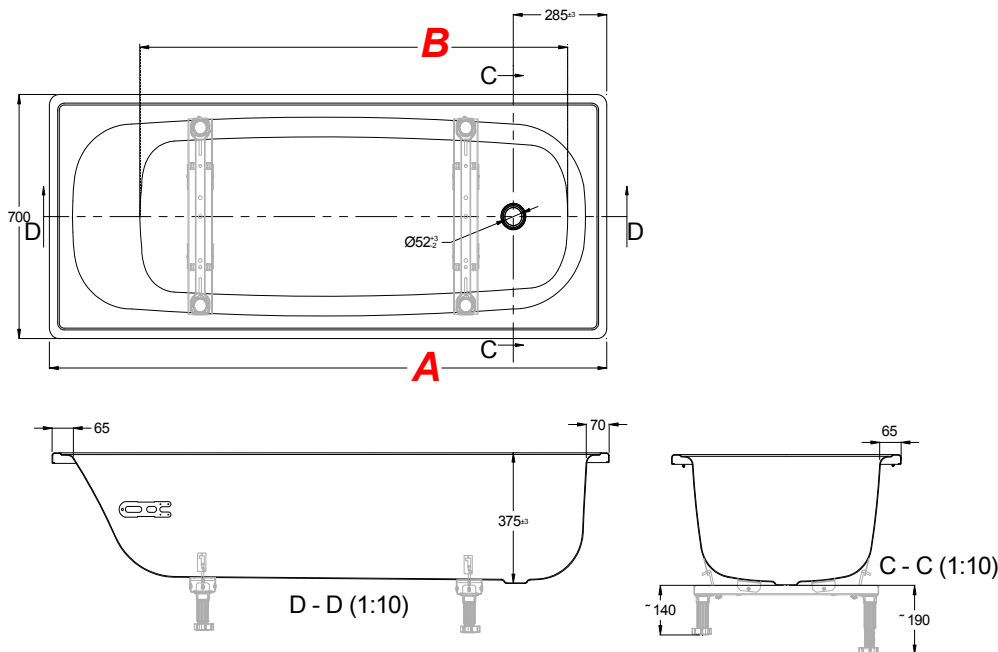
Optional as spare parts:

- ⌵ Chromed handles (fresh, pure or nature model); Metal feet; Font and side *Vitreous enamel steel panels*; Waste valve

Optional included on the product:

- ⌵ Embossed or enamel anti-slip; Anti-noise set; Holes for handles / taps

2.1.2. General dimensions:



Model:	A	B	Net Weight (Kg)	Wat Cap. (dm3)
Milano Vitreous enamel steel 1700 X 700 white	1700	≈1300	25,0	≈165
Milano Vitreous enamel steel 1600 X 700 white	1600	≈1200	23,5	≈155
Milano Vitreous enamel steel 1500 X 700 white	1500	≈1100	22,5	≈145
Milano Vitreous enamel steel 1400 X 700 white	1400	≈1000	21,0	≈135

!!!!SUBJECT TO TECHNICAL ALTERATIONS, TOLERANCES AND ERRORS. SIMILAR ILLUSTRATION!!!				
1	15/12/2014	Laufen Nordic Aps / Tømrervej 2, DK-4600 Køge	BLB -INDUSTRIAS METALURGICAS, S.A. APARTADO 3041 3754 ALAGOA (901 Agueda -Portugal)	
Revision	Date	Brand dealer	Manufacture	

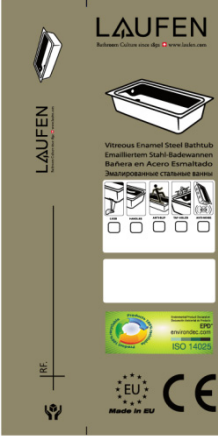

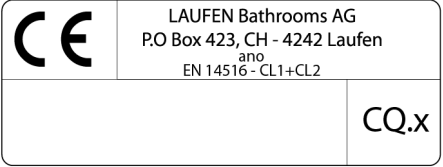
	Product technical datasheet	Document code
	Enamel Steel bathtubs	QU93_07_BLE001
	MILANO	Page: 2 de 3

3. Standards:

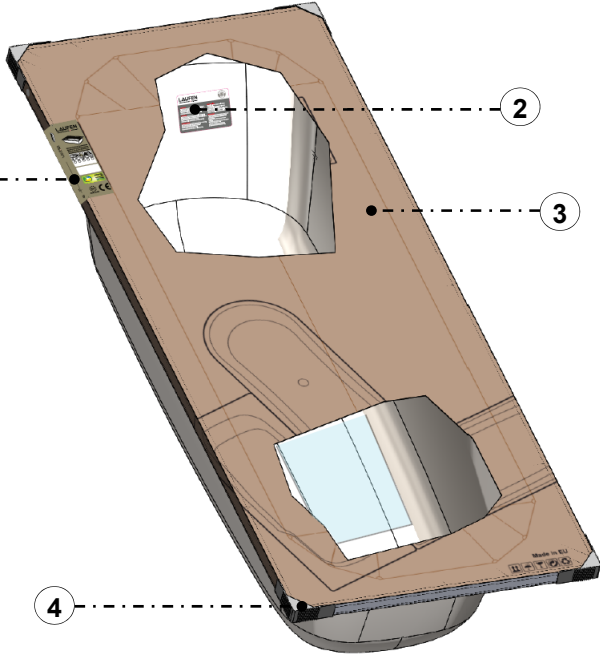
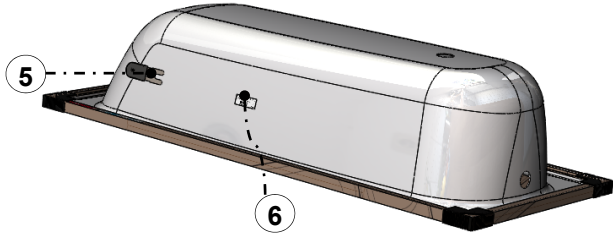
All Milano Enamelled steel Bathtubs intended for domestic purpose and personal hygiene, when installed and maintained in accordance with the manufacturer's instructions, satisfy the requirements of the standard EN14516:2006+A1 and Annex Z1 and EN232.

4. Individual packaging:

4.1. Labels

Brand and article code label	Care instructions label	CE Label
		

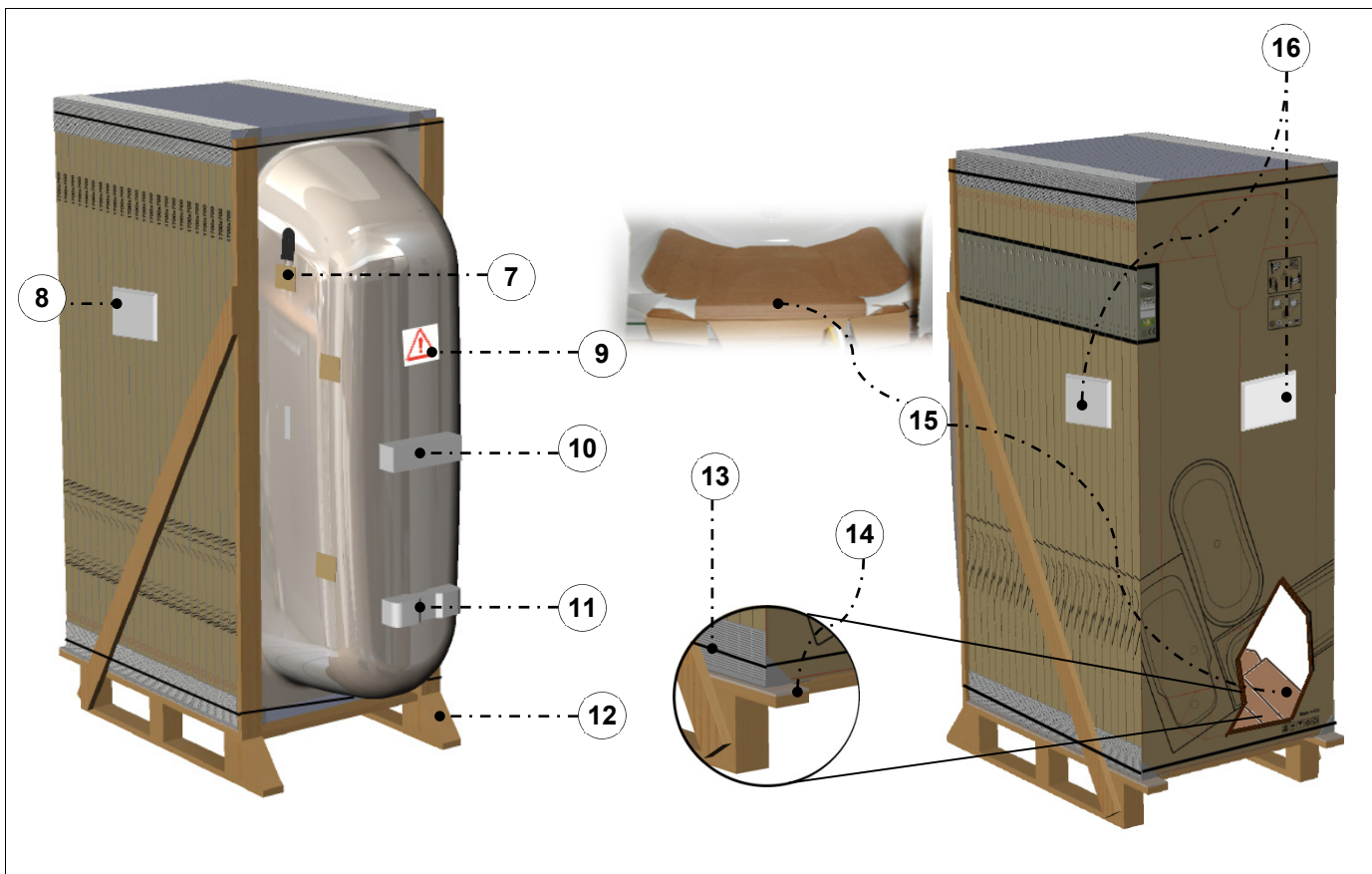
4.2. Individual packaging:

front	side
	

N.º	Description:	Qty.
1	Brand and article code box label	1
2	Care instructions label	1
3	Cardboard box	1
4	Corner protections	4
5	Clamps protectios	4
6	CE label	1

!!!!SUBJECT TO TECHNICAL ALTERATIONS, TOLERANCES AND ERRORS. SIMILAR ILLUSTRATION!!!			
1	15/12/2014	Laufen Nordic Aps / Tømrervej 2, DK-4600 Køge	BLB -INDUSTRIAS METALURGICAS, S.A. APARTADO 3041 3754 ALAGOA (901 Agueda -Portugal)
Revision	Date	Brand dealer	Manufacture

4.3. Secondary packaging:



N.º	Description	Qty.
7	Textile protection	2 o 6
8	Pallet label ID cod24	3
9	Security label	1
10	Protections EPS 30	1
11	Protections EPS 30 waste	1
12	Pallet	1
13	Security belt	QB
14	Cardboard protection	2
15	Cardboard protection 2	1
16	Milano bathtub	24

4.4. Dimensions / Logistic data:

Model	Pieces p\palette	Gross Unit weight (kg)	40'			20'			truck		
			Weight(Kg)	pallets	Pieces	Weight(Kg)	pallets	Pieces	Weight(Kg)	pallets	Pieces
MILANO 170x70	24	25,6	22701	36	864	10089	16	384	24593	39	936
MILANO 160x70	24	24,1	21343	36	864	9486	16	384	23122	39	936
MILANO 150x70	24	23,1	20417	36	864	9074	16	384	22119	39	936
MILANO 150x70	24	21,6	19059	36	864	8471	16	384	20648	39	936

!!!!SUBJECT TO TECHNICAL ALTERATIONS, TOLERANCES AND ERRORS. SIMILAR ILLUSTRATION!!!			
1	15/12/2014	Laufen Nordic Aps / Tømrervej 2, DK-4600 Køge	BLB -INDUSTRIAS METALURGICAS, S.A. APARTADO 3041 3754 ALAGOA (901 Agueda -Portugal)
Revision	Date	Brand dealer	Manufacture